

**GESI**

**SPOTWATER 57201**

SOFFIONE A PARETE SNODATO - FUNZIONE MULTI-SPRAY

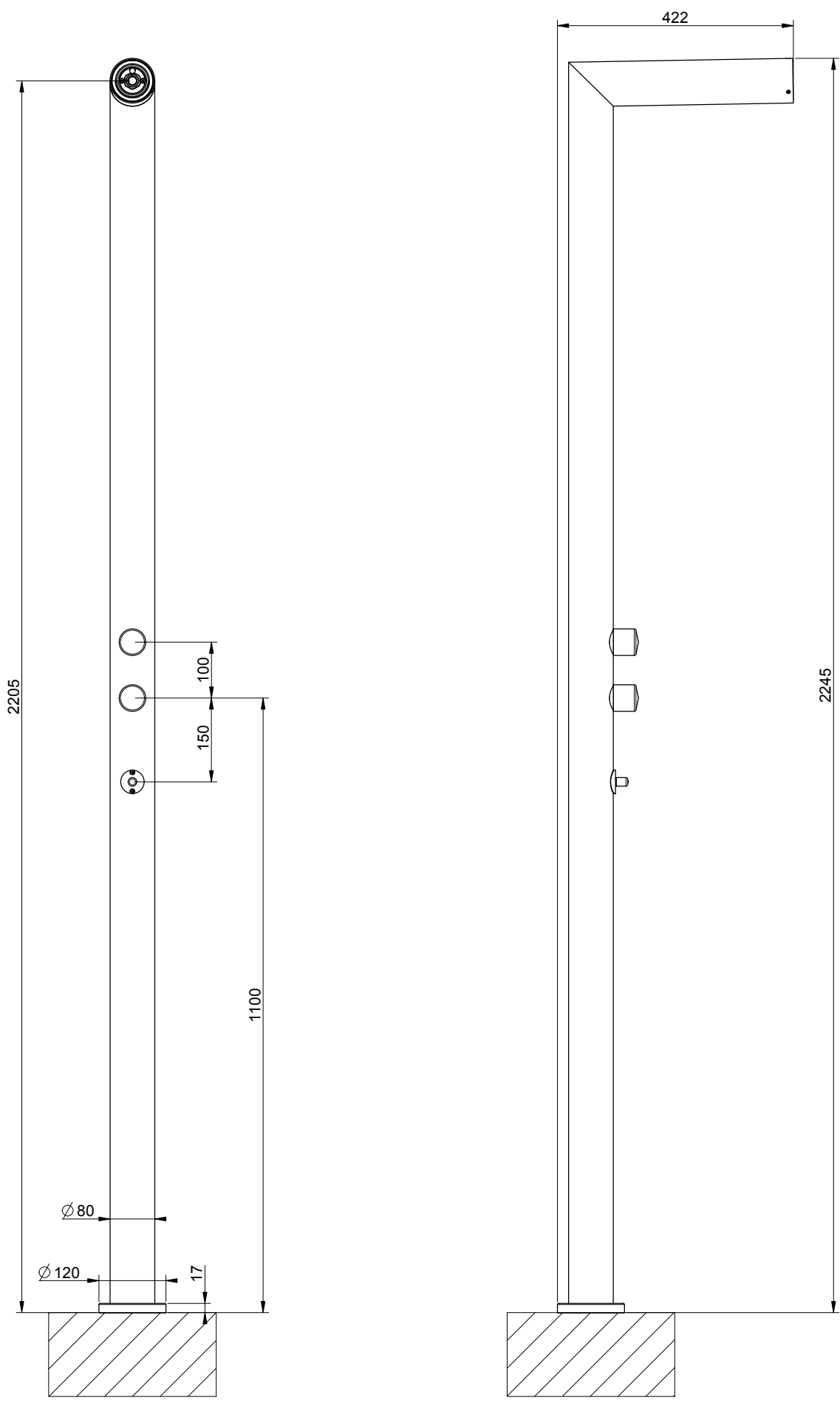
Formato **A4**



Dis.: GPF5720100000G000

Gessi S.p.A. Parco Gessi, 13037 Serravalle Sesia (Vercelli) Italy Tel.0039 0163 454111 Fax.0039 0163 453150 www.gessi.com e-mail:gessi@gessi.it

*This drawing by its legislation cannot be disclosed or reproduced without a written authorization released by GESSI S.p.A. - 2018 Copyright® GESSI S.p.A.*

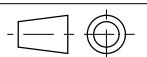


**GESSI**

**OUTDOOR 63203**

COLONNA DOCCIA TONDA 2 VIE

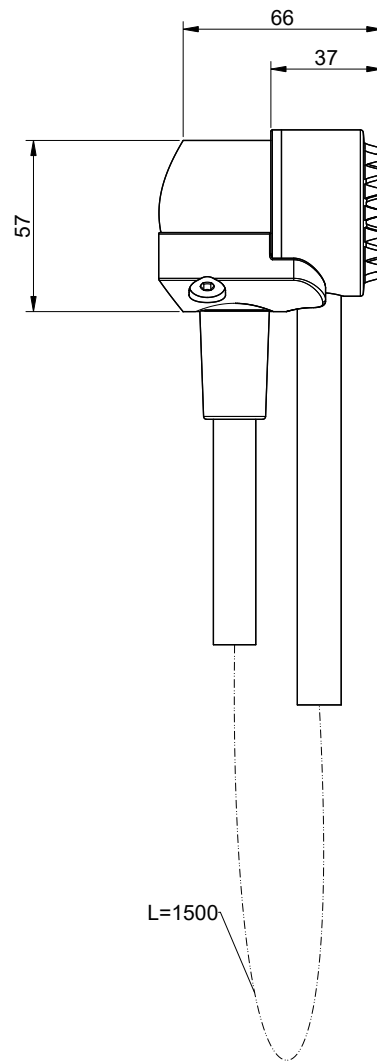
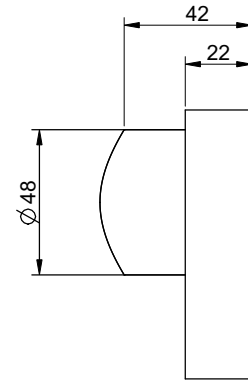
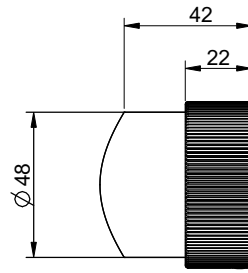
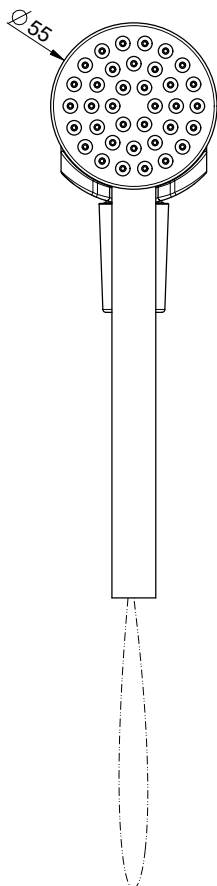
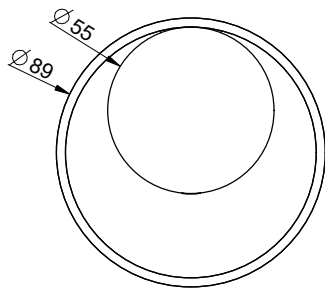
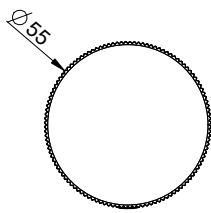
Formato **A4**



Dis.: GPF6320300000G000

Gessi S.p.A. Parco Gessi, 13037 Serravalle Sesia (Vercelli) Italy Tel. 0039 0163 454111 Fax. 0039 0163 453150 www.gessi.com e-mail: gessi@gessi.it

*This drawing by its legislation cannot be disclosed or reproduced without a written authorization released by GESSI S.p.A. - 2020 Copyright® GESSI S.p.A.*

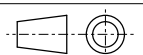


**GESSI**

**OUTDOOR 63212**

PARTE ESTERNA PER COLONNA DOCCIA TONDA 2 VIE

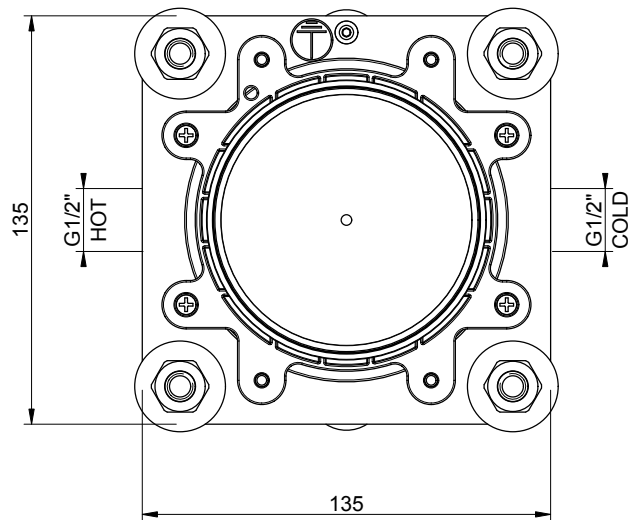
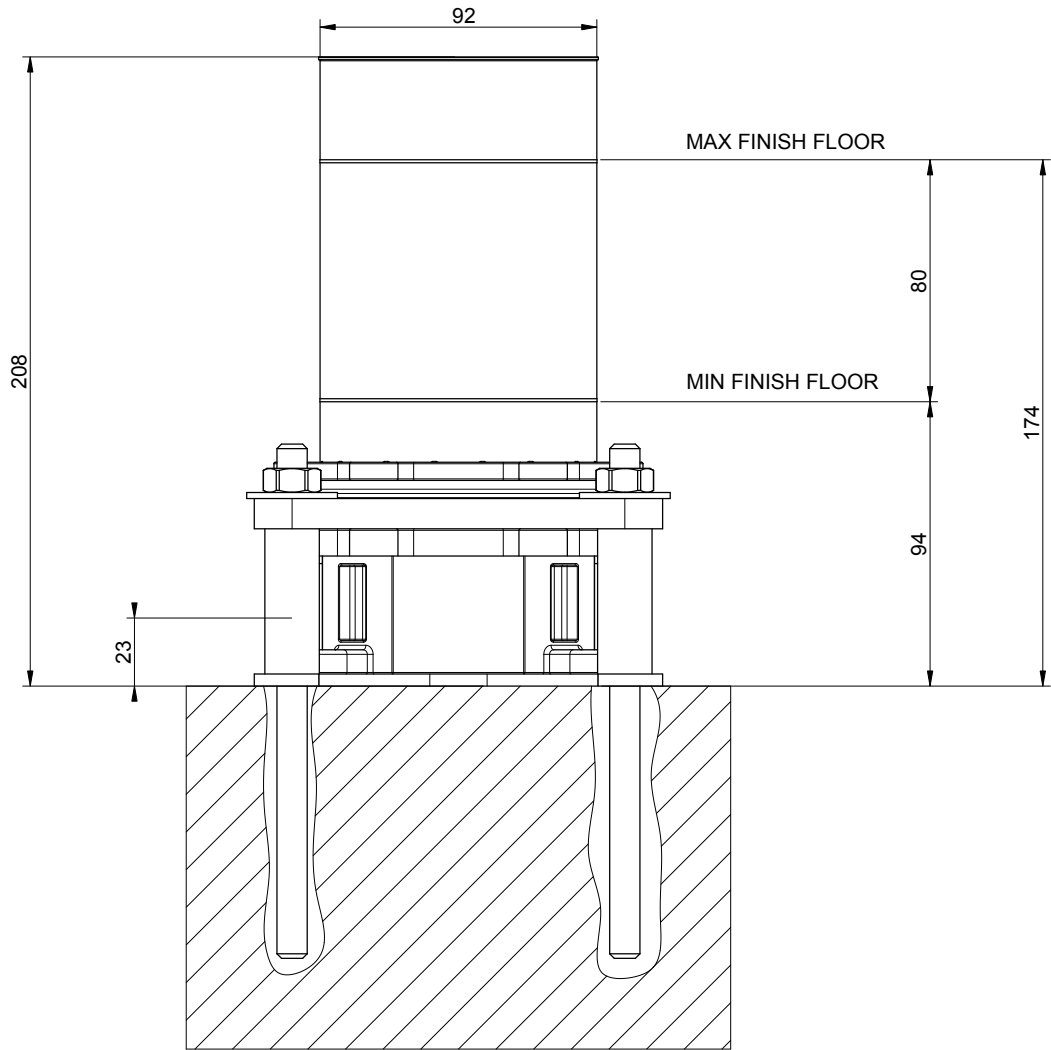
Formato **A4**



Dis.: GPF6321200000G000

Gessi S.p.A. Parco Gessi, 13037 Serravalle Sesia (Vercelli) Italy Tel. 0039 0163 454111 Fax. 0039 0163 453150 www.gessi.com e-mail: gessi@gessi.it

*This drawing by its legislation cannot be disclosed or reproduced without a written authorization released by GESSI S.p.A. - 2020 Copyright® GESSI S.p.A.*

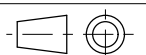


**GESSI**

**OUTDOOR 63215**

PARTE INCASSO COLONNA DOCCIA

Formato **A4**



Dis.: GPF6321500000G000

Gessi S.p.A. Parco Gessi, 13037 Serravalle Sesia (Vercelli) Italy Tel. 0039 0163 454111 Fax. 0039 0163 453150 www.gessi.com e-mail: gessi@gessi.it

*This drawing by its legislation cannot be disclosed or reproduced without a written authorization released by GESSI S.p.A. - 2020 Copyright® GESSI S.p.A.*