

AXOR Massaud
Single lever basin mixer 110 with waste set
 Surfaces: **Chrome** Article Number: **18010000**



product features

- consists of: single lever basin mixer, waste set
- ComfortZone 110
- projection 100 mm
- spray type: wide flood jet
- maximum flow rate at 3 bar: 4 l/min
- joystick ceramic cartridge
- suitable for continuous flow water heaters
- connection type: G 3/8 connections
- connection dimension: DN15
- non-closing waste set

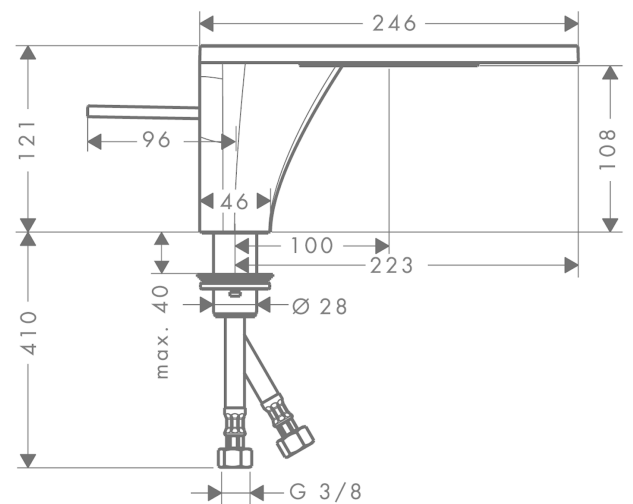
Technology



Product image



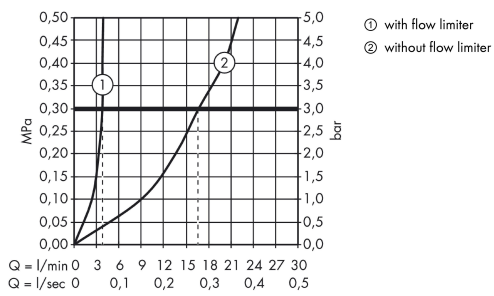
Scale drawing



AXOR Massaud
Single lever basin mixer 110 with waste set
 Surfaces: **Chrome** Article Number: **18010000**



Flowchart

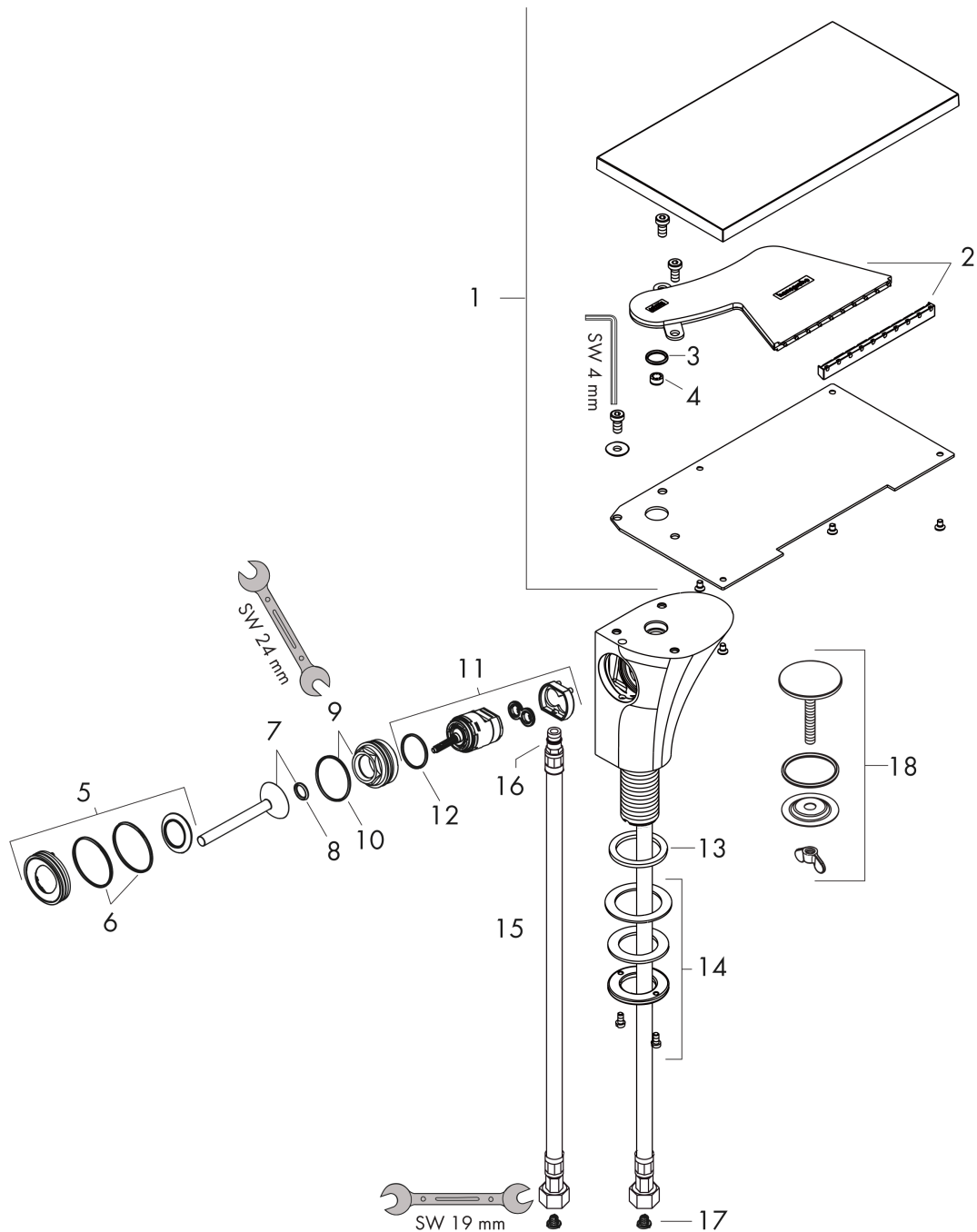


AXOR Massaud
Single lever basin mixer 110 with waste set
 Surfaces: **Chrome** Article Number: **18010000**



Exploded Drawing

Year of production: >07/16



AXOR Massaud
Single lever basin mixer 110 with waste set
 Surfaces: **Chrome** Article Number: **18010000**



Spare part list

Year of production: >07/16

Pos.		Article Number	Price	PU
1	plate for spout	98649000	-	1
2	spray former	97444000	-	1
3	O-ring 12x2	98214000	-	1
4	flow limiter (4 l/min)	98465000	-	1
5	escutcheon	92989000	-	1
6	O-ring 35x1,5	92114000	-	1
7	handle	92490000	-	1
8	O-ring 9x2	98119000	-	1
9	nut	95667000	-	1
10	O-ring 30x1,5	98433000	-	1
11	cartridge, assy	96339000	-	1
12	O-ring 21,95x1,78	95169000	-	1
13	flat seal	98749000	-	1
14	fixing set for shut off unit	96078009	-	1
15	connection hose 450 mm M8x0,75 G3/8	95141000	-	1
16	O-ring 7x1,5	98422000	-	1
17	filter	97973000	-	1
18	tap hole cover	98407000	-	1
a	waste	50001000	-	1
b	service tool for disassembling the handle	92124000	-	1